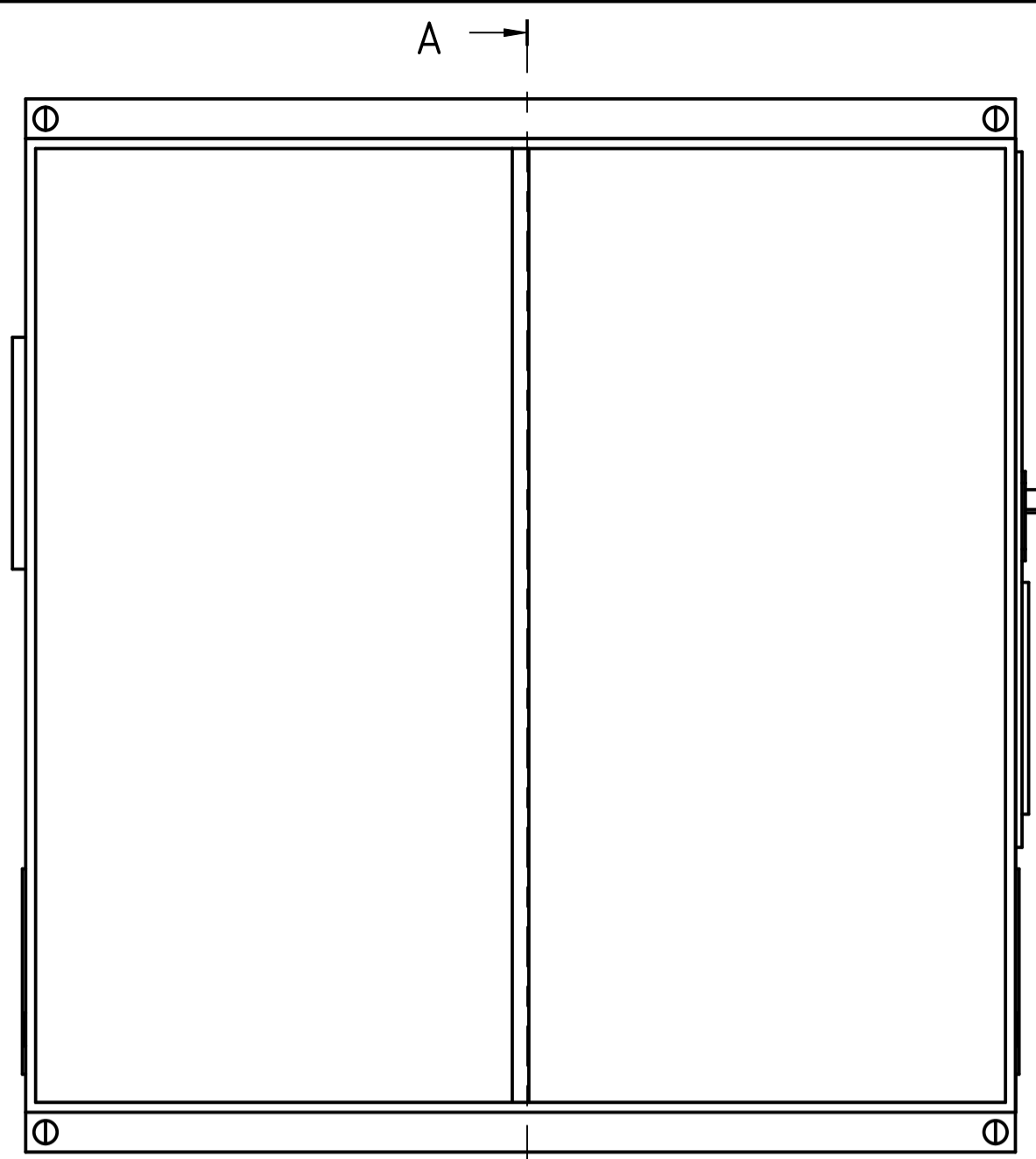
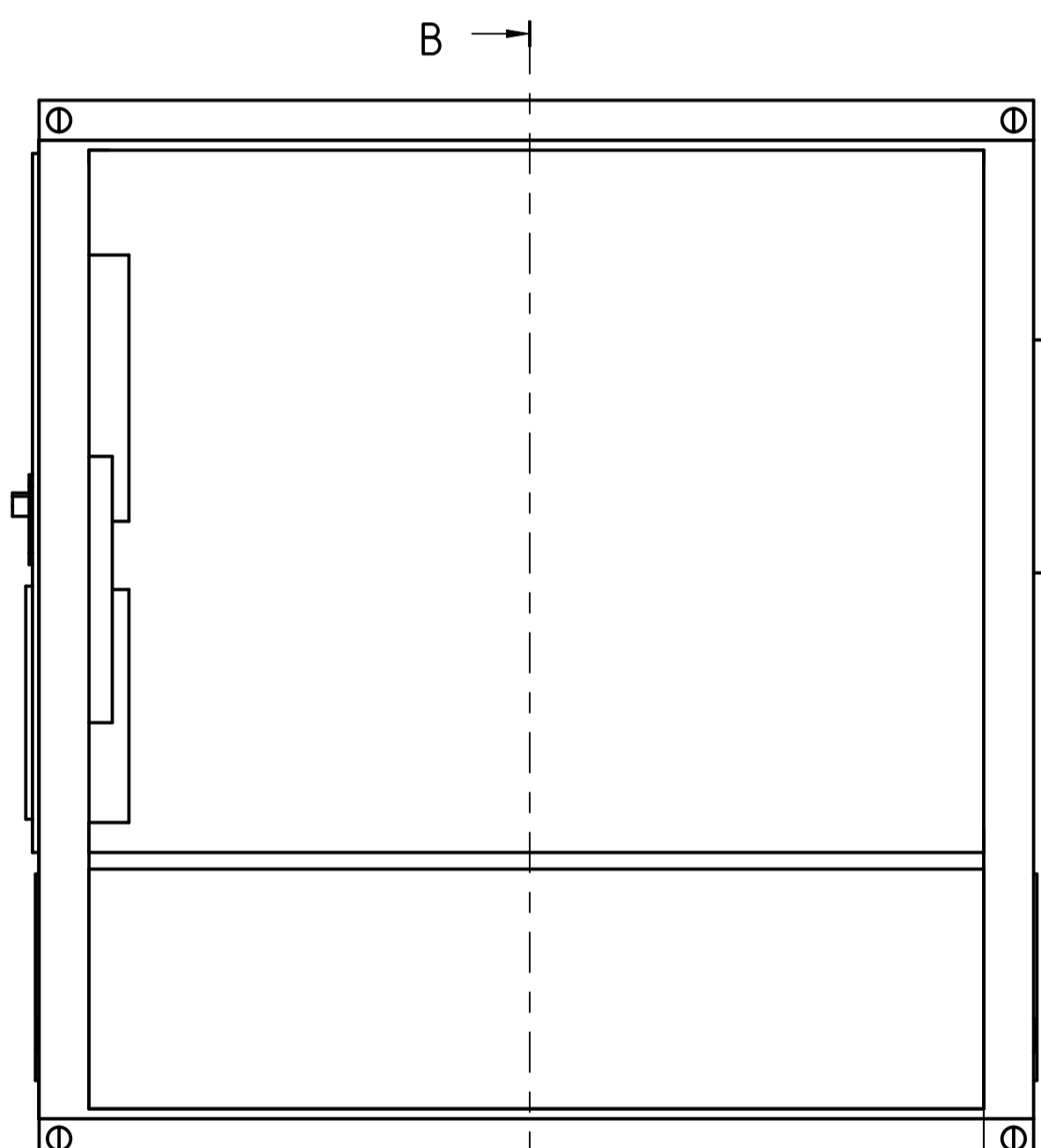
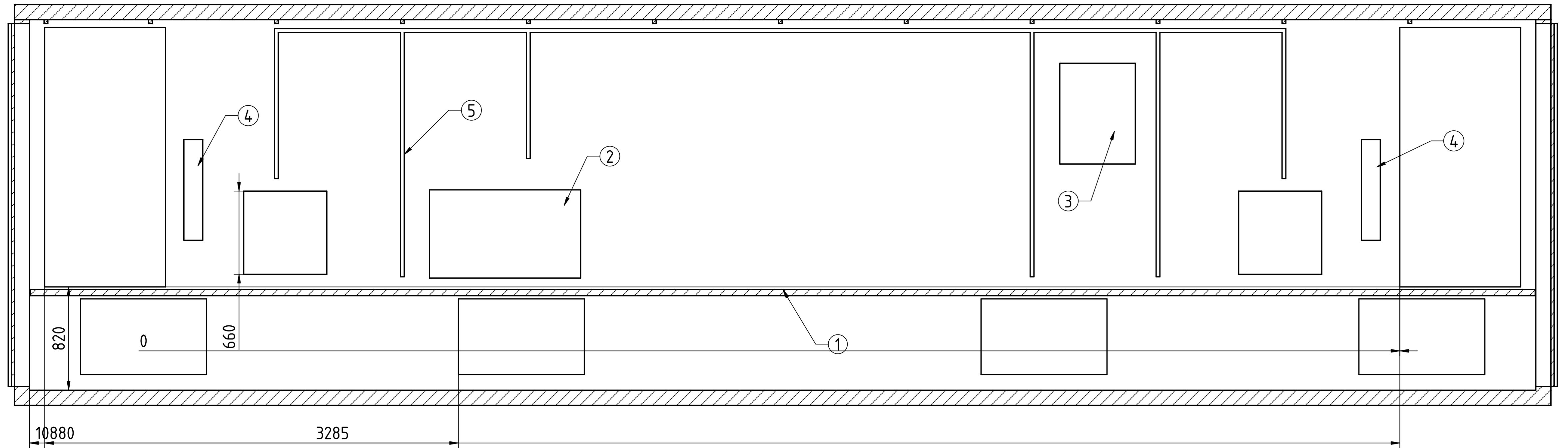


Created by: fz	Title: Container C6 - MSDC Kabel		
Supplementary information: DC-Lab Saxony Hochschule Zittau/Görlitz + TU Dresden	Size: A1	Sheet: 1 / 4	Scale: --
	Part number:		
	Drawing number:		
	Date: 13.02.2025	Revision: REV A	

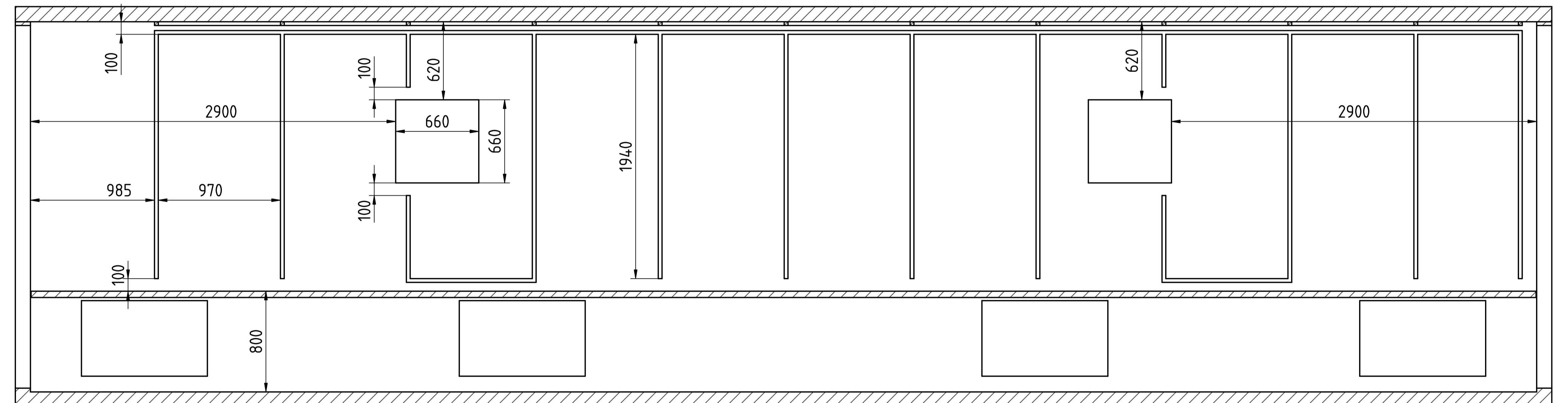


Südseite (mit Container-Tür)



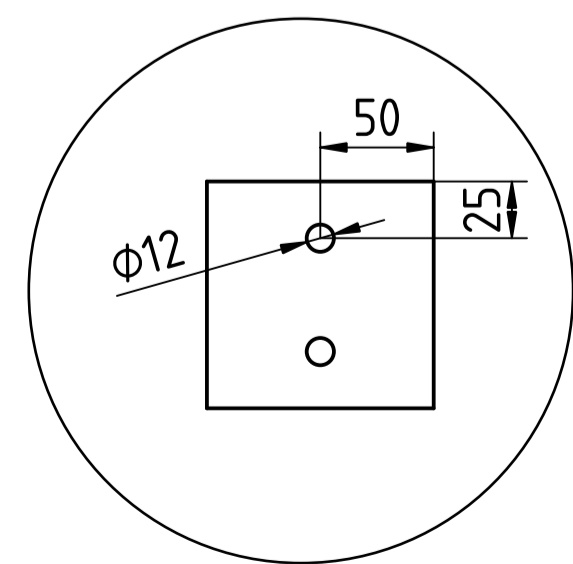
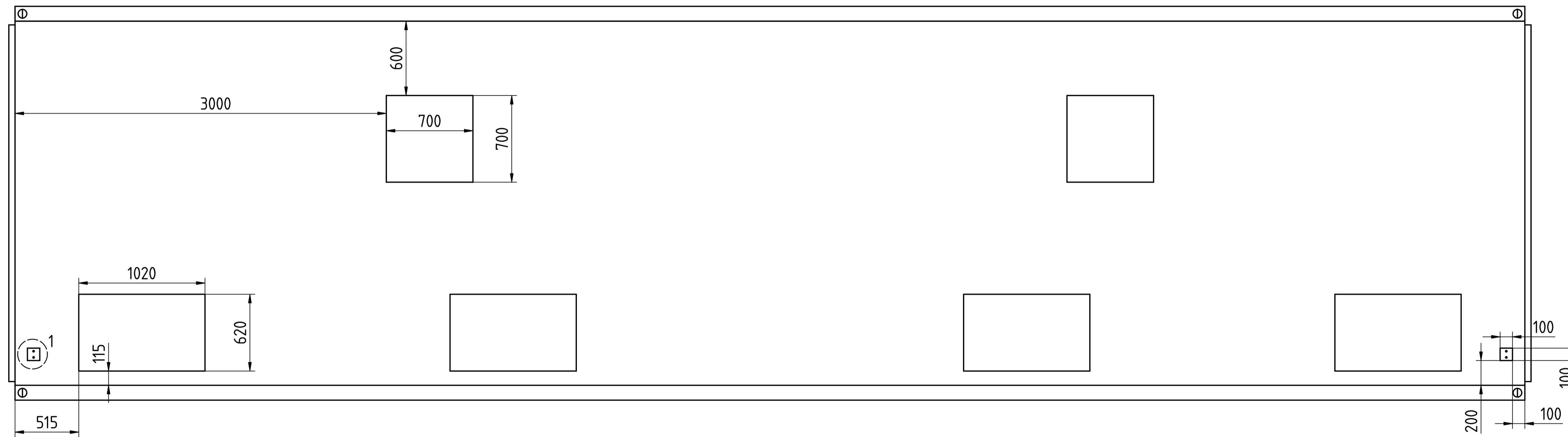
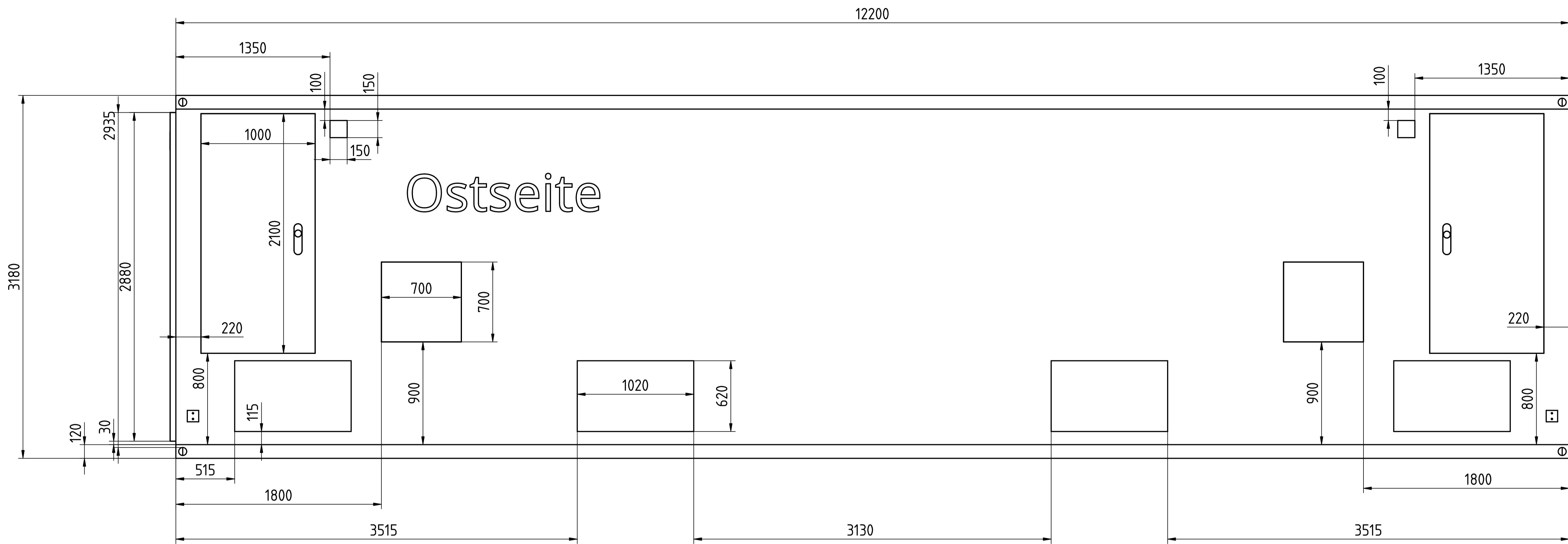
B

0

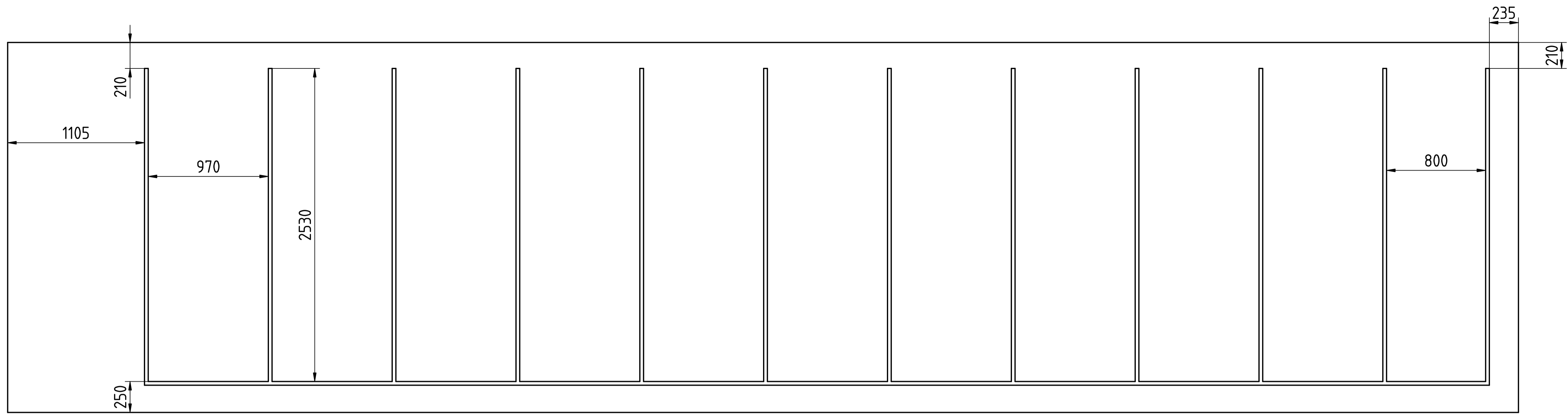


- 1: Zwischenboden
- 2: Heizung
- 3: E-Verteiler
- 4: Licht-Steckdosen-Reihe
- 5: C-Schienen

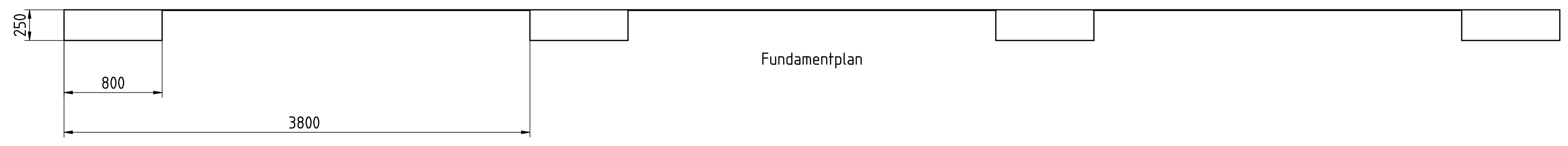
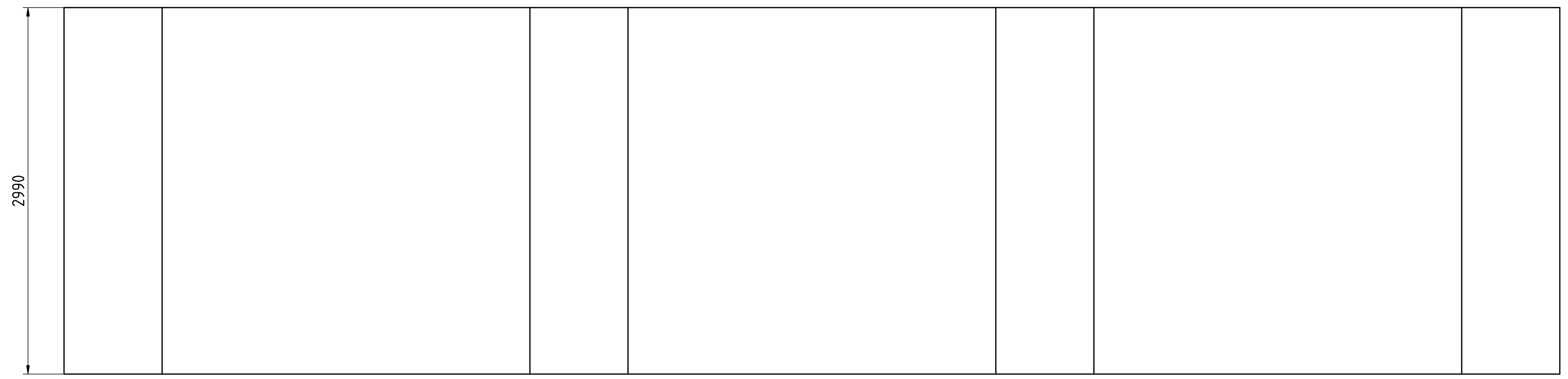
Created by: fz	Title: Container C6 - MSDC Kabel		
Supplementary information: DC-Lab Saxony Hochschule Zittau/Görlitz + TU Dresden	Size: A1	Sheet: 3 / 4	Scale: 1:20
Part number:			
Drawing number:			
Date: 13.02.2025	Revision: REV A		



Created by: fz	Title: Container C6 - MSDC Kabel		
Supplementary information: DC-Lab Saxony Hochschule Zittau/Görlitz + TU Dresden	Size: A1	Sheet: 2 / 4	Scale: 1:20
Part number:			
Drawing number:			
Date: 13.02.2025	Revision: REV A		



Dach (von unten)



Fundamentplan

Created by: fz		Title: Container C2 - MSDC	
Supplementary information: DC-Lab Saxony Hochschule Zittau/Görlitz + TU Dresden		Size: A1	Sheet: 4 / 4
		Scale: 1:20	
		Part number:	
		Drawing number:	
		Date: 13.02.2025	Revision: REV A